



CLEAN WATER. CLEAR DEDICATION.

ULTRAFILTRATION (UF) SYSTEMS

Application: Residential / Whole Home

POE Residential and Small Commercial Applications

ADVANCED FILTRATION TECHNOLOGY

Aquamor is pleased to introduce our Residential UltraFiltration (UF) Systems, designed to provide high-performance, whole-home water filtration using advanced 0.015-micron membrane technology.

Our UF systems utilize a modular design platform that allows for flexible configurations and scalable flow rates, making them ideal for a wide range of residential applications. Operating on standard household water pressure, the system delivers consistent, high-quality water while maintaining strong flow throughout the home.

The integrated programmable controller manages system flushing to help maintain membrane performance and extend service life. The self-cleaning design reduces maintenance while ensuring reliable operation. The Aquamor UF system reduces cysts, turbidity, colloids, and suspended particles down to 0.015 micron, improving water clarity and safety throughout the home.

RESIDENTIAL APPLICATIONS

WHOLE HOME · WELL WATER · CITY WATER · PRE-FILTRATION · +MORE



BENEFITS

- NSF/ANSI 53 Certified – 99.99% Cyst Reduction (Cryptosporidium & Giardia)
- Self-cleaning mechanical filtration for low maintenance
- 0.015-micron UltraFilter provides consistent, high-quality water
- Improves water clarity by reducing turbidity and suspended solids
- Compact wall-mounted design for residential installations
- Modular “Build-on-the-Wall” platform allows expansion for larger homes
- Simple programmable controller adaptable to varying water conditions
- Standard packages available from 8 to 30 GPM
- Various inlet and outlet connections available



CLEAN WATER. CLEAR DEDICATION

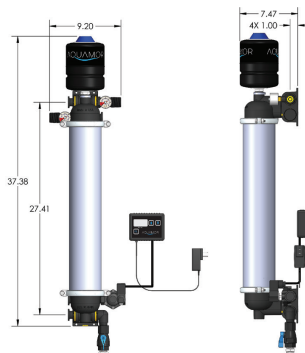


CLEAN WATER. CLEAR DEDICATION.

ULTRAFILTRATION (UF) SYSTEMS

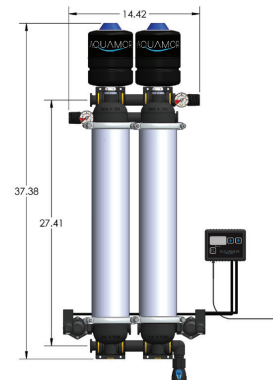
Application: Residential / Whole Home
POE Residential and Small Commercial Applications

PART NUMBER	MODEL NUMBER	NUMBER OF MEMBRANES	LENGTH OF MEMBRANE	MAX FLOW RATE	INLET - OUTLET
108037	UF-4210-0000 20" Single	1	20"	8 GPM	1" and 3/4" MNPT
108038	UF-4220-0000 20" Double	2	20"	15 GPM	1" and 3/4" MNPT
108039	UF-4410-0000 40" Single	1	40"	15 GPM	1" and 3/4" MNPT
108036	UF-4420-0000 40" Double	2	40"	30 GPM	1" and 3/4" MNPT



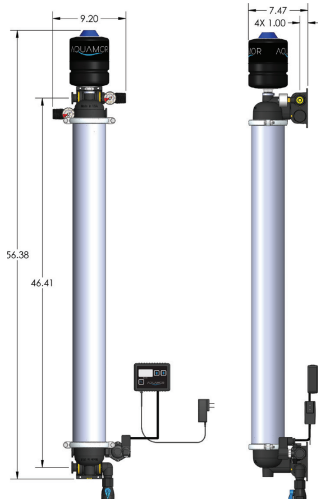
108037
Front/Side View

108038
Front View



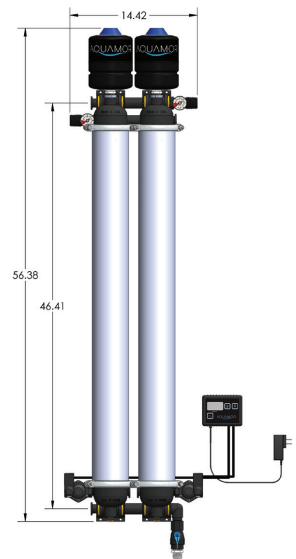
SYSTEM FEATURES

- Automatic self-cleaning flush cycle
- Integrated drain and flush ports
 - Wall-mounted installation
 - Expandable system design
 - Low maintenance operation



108039
Front/Side View

108036
Front View



SPECIFICATIONS

Operating Pressure:	30 – 85 psi (kPa)
Operating Temperature:	35°F - 100°F
Nominal Pore Size:	0.015-micron

Tested and Certified by NSF International against NSF/ANSI Standard 53 for cyst reduction and applicable claims on the performance data sheet.

*Designed for use on cold water systems only
*For use with microbiologically safe or properly treated water

